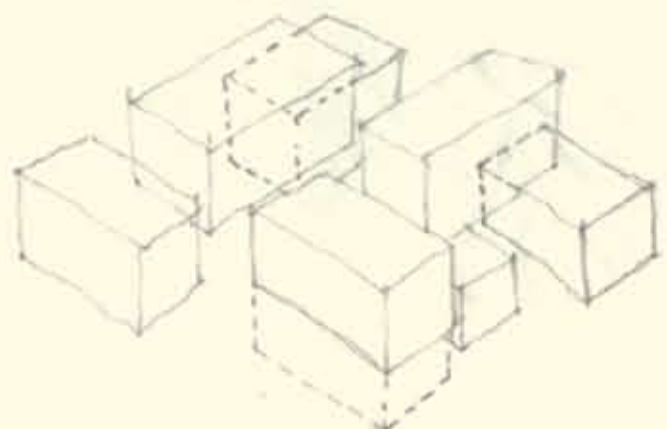


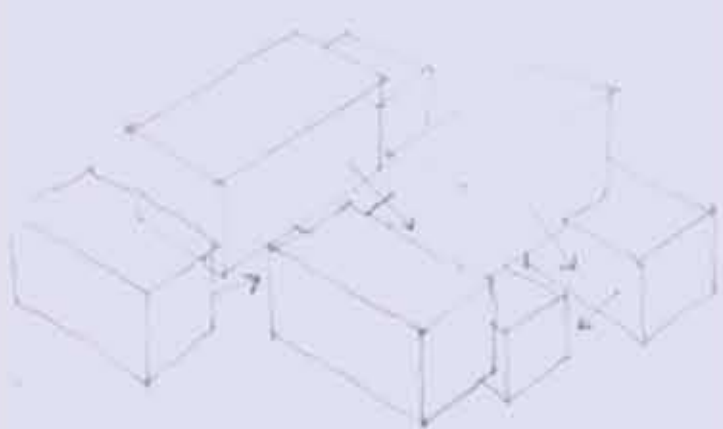
making a courtyard for play

water retention on site:

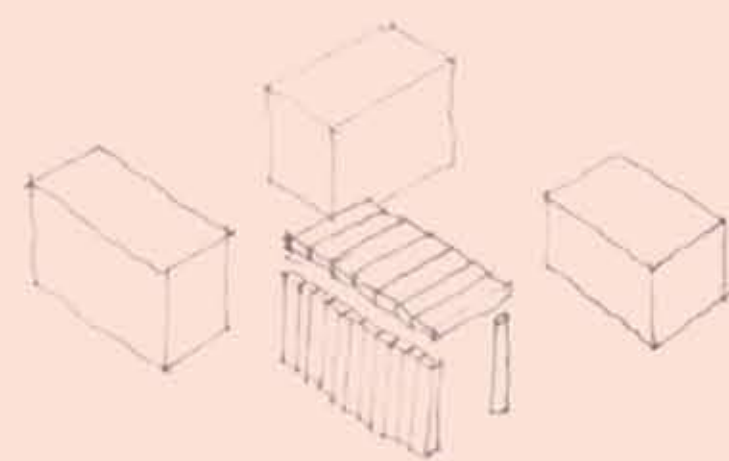
social sustainability:



indirect visual contact



environmental sustainability



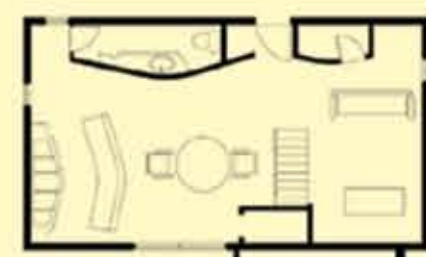
affordability of construction



East Elevation: 4 8 16'



Site Plan: 4 8 16'



Ground Floor

4 8 16'

Units F, G
Total Sq. Ft.: 1440



Second Floor

4 8 16'